

KWK RESISTORS INDIA



KVR SERIES - VITREOUS ENAMELLED RESISTORS

Vitreous enamelled resistors have been known for many years and are used to date in spite of increasingly improved methods developed in other resistor technologies over the past decades.

Mainly due to some characteristics of the vitreous enamelled resistors which cannot be offered by other designs and are of great importance in many cases, namely:

- a) High loading capacity at low dimensions
- b) High durability
- c) Low resistivity variation to changing temperatures (low temperature coefficient).

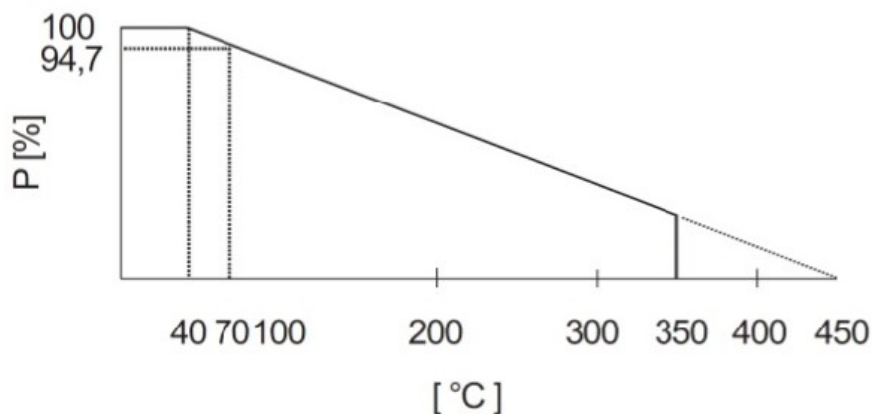
KWK Resistors, one of India's largest Power resistor designers and manufacturers offer a High Quality Vitreous Enamelled Power resistor series—KEA



ELECTRICAL SPECIFICATIONS

Characteristics	Condition	Compliance
Continuous Power	Rated power at 25°C	< 400°C
Tolerance		J (±5%), K (±10%)
Insulation Resistance	Dry/Normal @ 500V DC	> 100MΩ
Operating Temperature	-55 °C to 200 °C	
Solderability (Where applicable)	350 °C for upto 3 sec	95% coverage

POWER DERATING CURVE

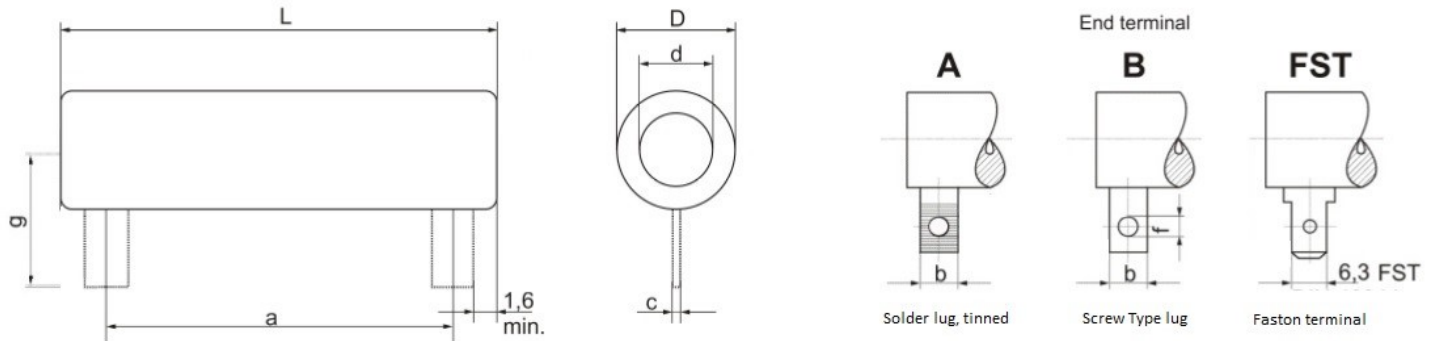


KWK RESISTORS INDIA



KVR SERIES - VITREOUS ENAMELLED RESISTORS

RESISTANCE RANGE AND DIMENSIONAL DETAILS



Note: All dimension are in mm.

Series	Rated Power (W) @ 400°C	Resistance Range	D(max)	L ± 1.6	a	d	g	b	f
KVR15	15	1R0 - 3K0	15.1	38.1	27.1	5.5	18	6	3.2
KVR25	25	1R0 - 4K7	15.1	50.8	39.8	5.5	18	6	3.2
KVR45	45	2R0 - 7K5	15.1	76.2	65.2	5.5	18	6	3.2
KVR70	70	2R7 - 10K	23.0	76.2	63.2	12.0	25	8	4.3
KVR90	90	3R6 - 22K	23.0	101.6	88.6	12.0	25	8	4.3
KVR130	130	4R7 - 22K	33.3	101.6	88.6	18.5	29	8	4.3
KVR220	220	5R1 - 22K	33.3	152.4	139.4	18.5	29	8	4.3
KVR300	300	6R8 - 22K	33.3	203.2	190.2	18.5	29	8	4.3
KVR400	400	10R - 22K	33.3	266.7	253.7	18.5	29	8	4.3
KVR500	500	8R2 - 22K	33.3	304.8	291.8	18.5	29	8	4.3

ORDERING DETAILS

PRODUCT CODE R T Y

Product code - Series Model

R - Resistance Value

T - Tolerance Code (±5% - J, ±10% - K)

Y - Type of Termination (Termination types - A, B OR FST)

EXAMPLE: KVR3006R8JA

Please feel free to contact us for any assistance required to choose the right solution. We are also able to design Custom Resistive Solutions.

KWK Resistors India Pvt. Ltd.

Reg. Office: B-81, Industrial Estate, Rajajinagar, Bengaluru-560044.India

Works: #72, 3rd main, 2nd stage, Industrial suburb, Yeshwanthpur, Bengaluru-560022.India

Ph.:+91-80-23370038, Tele/Fax:+91-80-23370046 Email: contact@kwk-resistors.in



**BUREAU
VERITAS**