

KWK RESISTORS INDIA



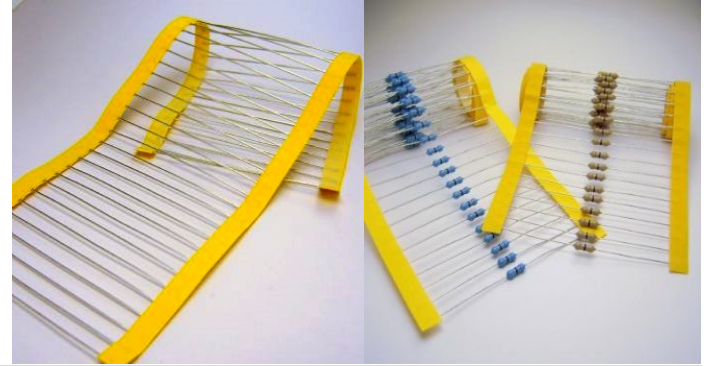
KZOSERIES - ZERO OHM JUMPER RESISTORS

KZO are Zero Ohm resistor series. These are used to connect traces on printed circuit boards. This series is available in two styles—Axial type, KZOA and Jumper Wire type, KZOJ.

KZOA are especially suited for automatic machine insertion and generally marked with a single black band. KZOJ are Tin plated Copper wires.

Features:

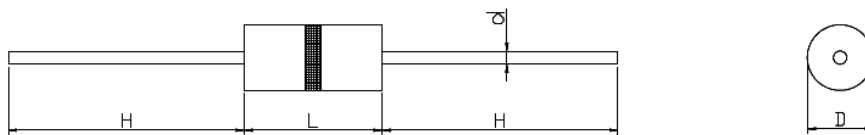
- Maximum resistance 0.05Ω.
- Available in Tape/Reel or Bulk packaging.
- Tin-plated Copper used as leads.
- RoHS Compliant.



ELECTRICAL SPECIFICATIONS

Characteristics	Condition
Maximum Resistance	0.05Ω
Operating Temperature	-55°C to +155°C
Body Material (For KZO series)	Electrical grade, high performance molding compound
Dielectric Withstanding Voltage	Atmospheric - 500V rms, Reduced - 325V rms
Insulation flammability	Resistor Insulation is self extinguishing within 10sec after externally applied flame is removed
Current Rating	2.5A @25°C ,derating to 0A @150°C

RANGE AND DIMENSIONAL DETAILS - KZOA



Series	Rated Power	Max. Current	Resistance	Ambient Temp.	L	D	d	H
KZOA1/6	0.16W	1.5A	20mΩ	70°C	3.2±0.2	1.8±0.2	0.40±0.02	25±3
KZOA1/4	0.25W	2.5A	20mΩ	70°C	6.5±0.5	2.3±0.3	0.40±0.02	25±3

ORDERING DETAILS

KZOAseries P

KZOAseries P
 - Series Model
 - Packaging (S,P-Bulk (Straight), T/R-Tape on reel packing, Txx- Boxed (26,52mm width taping), U/T—Radial packing)

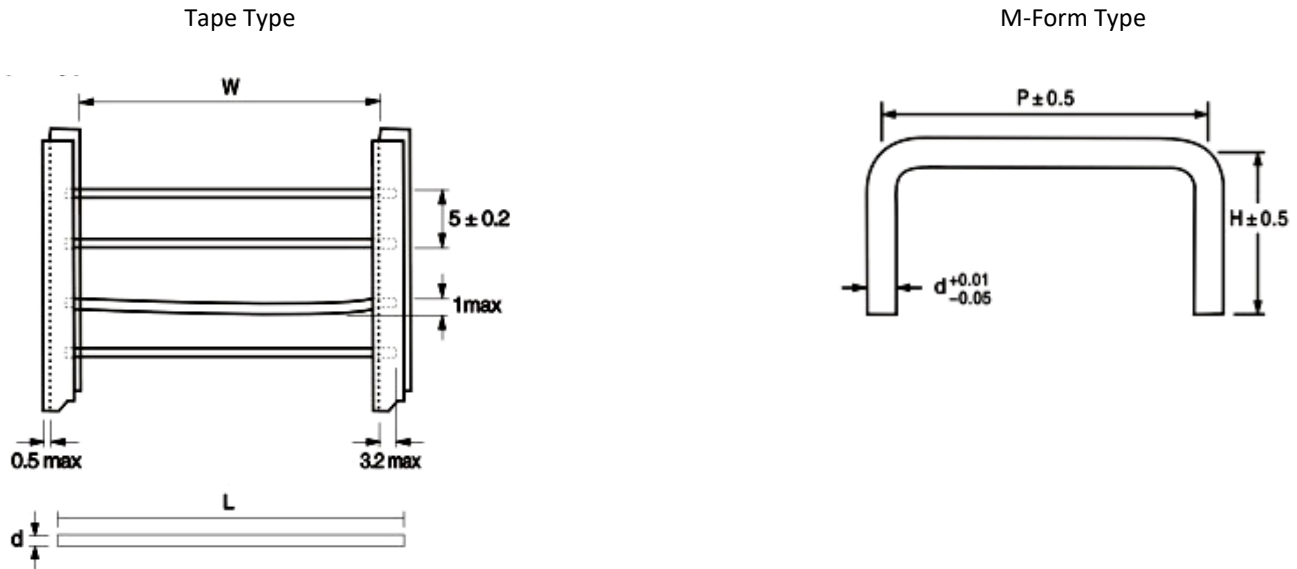
Example: KZOA1/6 T52 - KZOA 0.16W Box packing with 52mm width taping.

KWK RESISTORS INDIA



KZOSERIES - ZERO OHM JUMPER RESISTORS

RANGE AND DIMENSIONAL DETAILS - KZOJ



Series	W ±1	L ±1	d ±0.05	H	P
KZOJ05	52 26	61.5 35.5	0.5	3 - 10	2.5 - 40
KZOJ06			0.6		
KZOJ07			0.7		
KZOJ08			0.8		

ORDERING DETAILS

KZOJseries P

KZOJseries P
 - Series Model
 - Packaging (S-Bulk (Straight), T/R-Tape on reel packing, Txx- Boxed (26,52mm width taping), M5x10- Bulk, M-Form Series (HxP))

Disclaimer: Product specifications, data and dimensions are subject to change without any prior notice to improve performance, reliability and design.

Example: KZOJ05 M5x10 - KZOJ 0.5mm dia Bulk packing with M-form 5mm (Height) x 10mm (Pitch).

Please feel free to contact us for any assistance required to choose the right solution. We are also able to design Custom Resistive Solutions.

KWK Resistors India Pvt. Ltd.

Reg. Office: B-81, Industrial Estate, Rajajinagar, Bengaluru-560044.India
 Works: #72, 3rd main, 2nd stage, Industrial suburb, Yeshwanthpur, Bengaluru-560022.India
 Ph.:+91-80-23370038, Tele/Fax:+91-80-23370046 Email: contact@kwk-resistors.in



**BUREAU
VERITAS**