

KWK RESISTORS INDIA

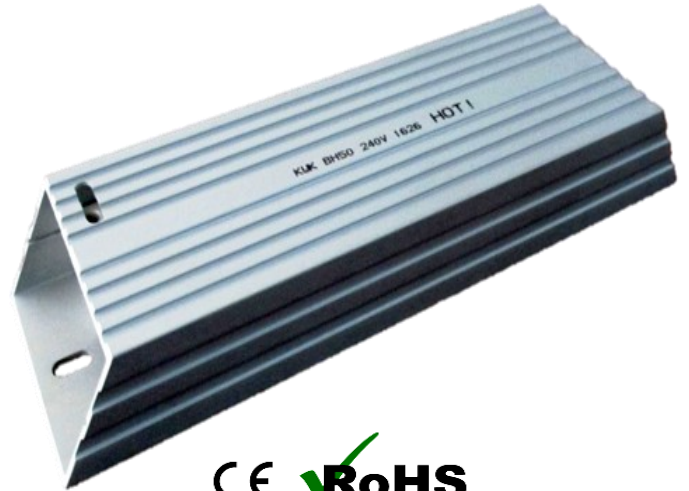


BH SERIES - ANTI CONDENSATION PANEL HEATERS, BOX TYPE

KWK manufacture wide range of anti condensation panel heaters. BH series is one of the most popular anti condensation heaters. The construction of this heater is extremely robust and most reliable. This series provides excellent heating for wide range of application. The standard heaters are designed for operation up to 250V AC for single phase supply and up to 440V AC for three phase supply.

Features:

- Compact in size.
- Economical and widely accepted , easy to replace.
- Heaters of specified wattage and voltage can be made on request.
- Heaters can be supplied integrated with thermostat on request.
- Heaters can be supplied with suitable thermostat separately on request.



ELECTRICAL SPECIFICATIONS

Characteristics	Condition	Compliance
Rated Power	@25°C	50W to 100W
Rated Voltage		110V AC to 240V AC
Resistance Tolerance		±5%
High Voltage	1500V AC for 1 minute	No breakdown
Insulation Resistance	Dry/Normal @500V DC	>500MΩ

SURFACE TEMPERATURE RISE

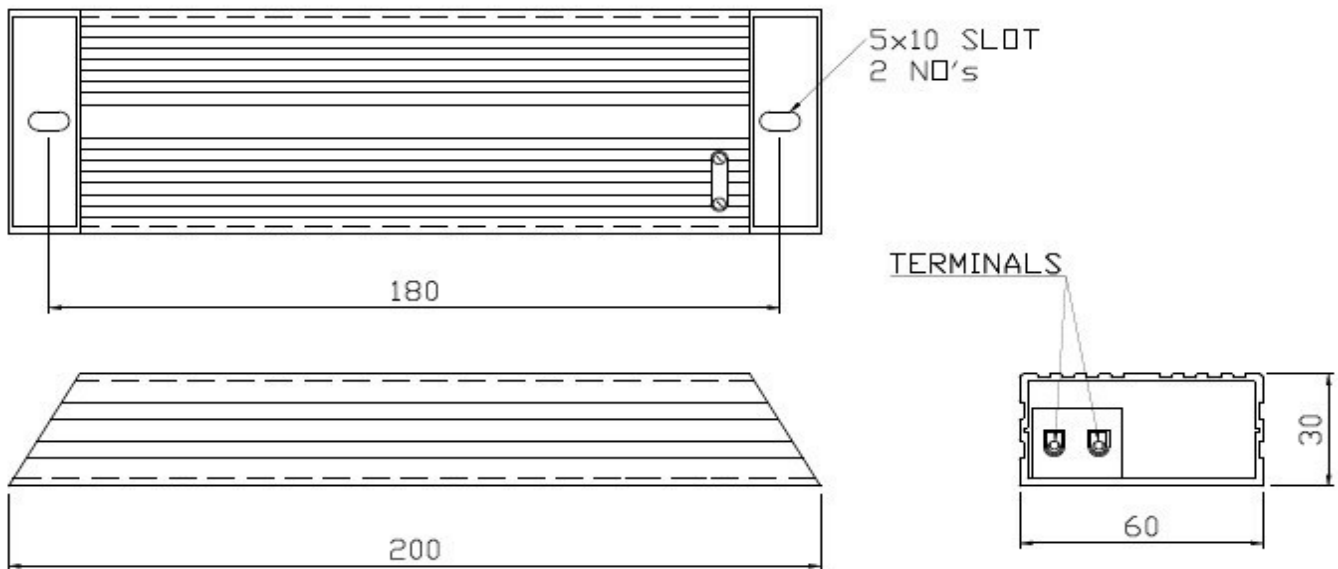
Series	Rated Power	Rated Voltage	Max. Surface Temperature Rise
BH50	50W	240V AC	105°C
BH60	60W	240V AC	125°C
BH80	80W	240V AC	155°C
BH100	100W	240V AC	175°C

KWK RESISTORS INDIA



BH SERIES - ANTI CONDENSATION PANEL HEATERS, BOX TYPE

RANGE AND DIMENSIONAL DETAILS



Note: All dimension are in mm

ORDERING DETAILS

BHWWW VVV

- BH - Series Model
- WWW - Rated wattage
- VVV - Rated Voltage AC (110V AC - 240V AC)

Example: BH50 240V

Disclaimer: Product specifications, data and dimensions are subject to change without any prior notice to improve performance, reliability and design.

Please feel free to contact us for any assistance required to choose the right solution. We are also able to design Custom Resistive Solutions.

KWK Resistors India Pvt. Ltd.

Reg. Office: B-81, Industrial Estate, Rajajinagar, Bengaluru-560044.India
Works: #72, 3rd main, 2nd stage, Industrial suburb, Yeshwanthpur, Bengaluru-560022.India
Ph.:+91-80-23370038, Tele/Fax:+91-80-23370046 Email: contact@kwk-resistors.in