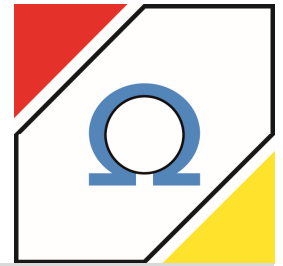


# KWK RESISTORS INDIA



## ULS SERIES - ULTRA SLIM RESISTORS - ALUMINIUM HOUSED RESISTORS

ULS series are Ultra slim power resistors where resistive element is encased in an ultra slim aluminium profile. Specially finds application with limited space availability in systems like EVs, Instruments, Drivers and Frequency converters.

### Features:

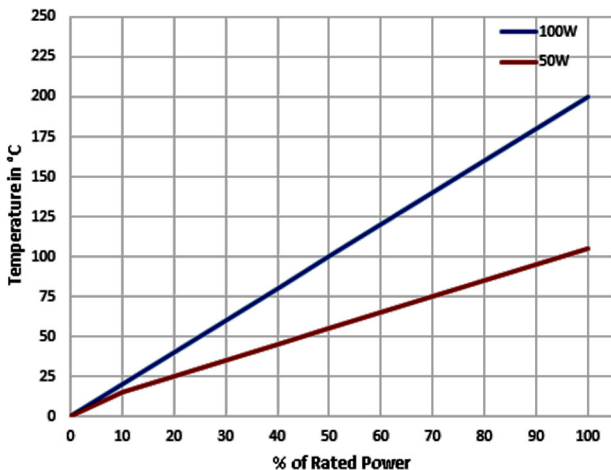
- Ultra Slim - Best suited where space really matters.
- Excellent short term overload & continuous power performance.
- Excellent Electrical stability, reliability and mechanically very rigid.
- UL approved cables used for terminations.
- Customized terminations are possible.



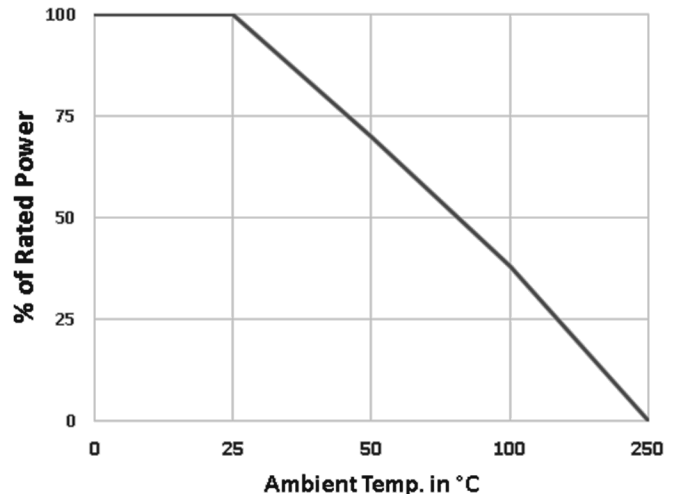
## ELECTRICAL SPECIFICATIONS

Characteristics	Condition			Compliance
	Series	With Heatsink	With out Heatsink	
Rated Power	ULS50	50W	25W	@25°C
	ULS100	100W	50W	
Resistance Range	3.3Ω to 1KΩ			
Tolerance	±5% & ±10%			
Temperature Co-efficient				±150 PPM/°C
Insulation Resistance	@500V DC			> 100 MΩ
Short Term Overload	5 x Rated Power for 5sec			$\Delta R < \pm(2\% + 0.05\Omega)$
Dielectric Strength	2500VAC rms for 1minute			No Breakdown or Flashover
Operating temperature	-25°C to 250°C			
Degree of Protection	IP60			
Recommended Heatsink	300(W) x 300 (L) x 3 (H) in mm			

## SURFACE TEMPERATURE INCREASE v/s POWER & POWER DERATING CURVE



Temperature Rise Curve (With Heatsink)



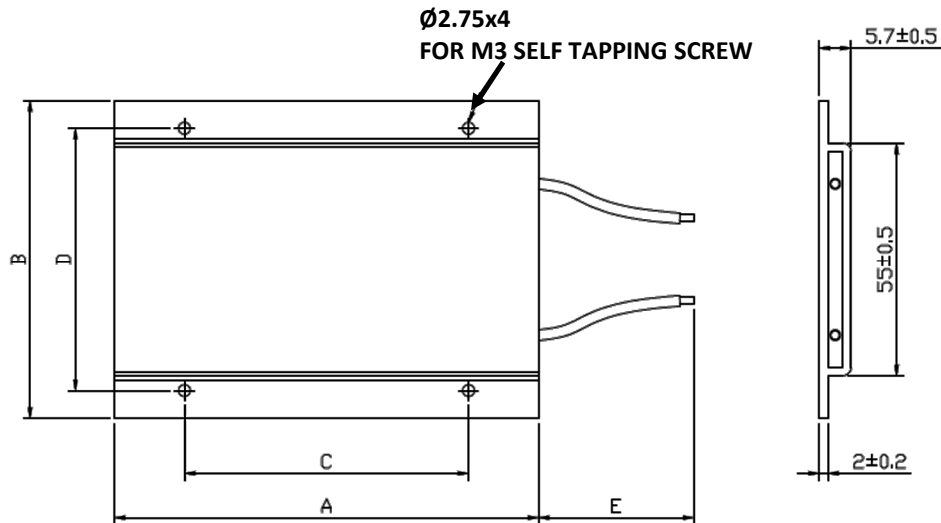
Ambient Temp. in °C

# KWK RESISTORS INDIA



## ULS SERIES - ULTRA SLIM RESISTORS - ALUMINIUM HOUSED RESISTORS

### DIMENSIONAL DETAILS



Series	A max	B max	C $\pm 0.2$	D $\pm 0.2$	E $\pm 5.0$
ULS50	50	75	30	62	200
ULS100	100	75	67	62	200

*Note: All dimension are in mm.*

### ORDERING DETAILS

ULSeries R T  
 ULSseries - Series Model #  
 R - Resistance Value  
 T - Tolerance Code ( $\pm 5\%$  -J,  $\pm 10\%$  -K)

*Disclaimer: Product specifications, data and dimensions are subject to change without any prior notice to improve performance, reliability and design.*

Example: ULS100 3R0 J - ULS100W 3 $\Omega$  5%

*Please feel free to contact us for any assistance required to choose the right solution. We are also able to design Custom Resistive Solutions.*

## KWK Resistors India Pvt. Ltd.

Reg. Office: B-81, Industrial Estate, Rajajinagar, Bengaluru-560044.India  
 Works: #72, 3rd main, 2nd stage, Industrial suburb, Yeshwanthpur, Bengaluru-560022.India  
 Ph.:+91-80-23370038, Tele/Fax:+91-80-23370046 Email: contact@kwk-resistors.in

www.kwk-resistors.in

2 of 2



KWKCAT30 R02